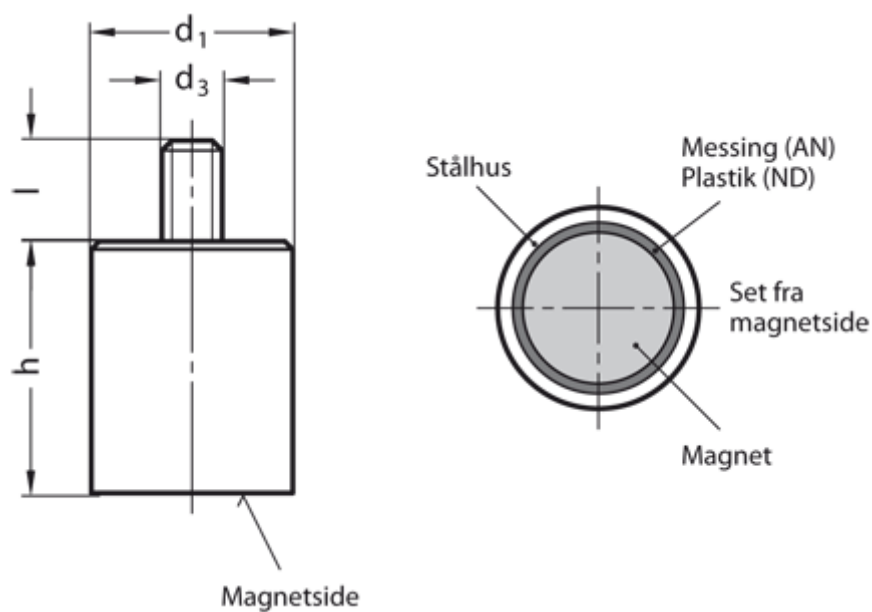


Article number: 201242390A

Description: E+G Retaining magnets with threaded stud GN 52.4-ND-13-M4-E  
Neodymium, iron, boron - 80° C, 60N

## Measures



$d_1$  = 13

$d_3$  = M4

$h$  =  $20 \pm 0,2$

Holding force N = 60.0

$l$  = 8

Material = ND Neodym, iron, boron, 80°C